

# QRP

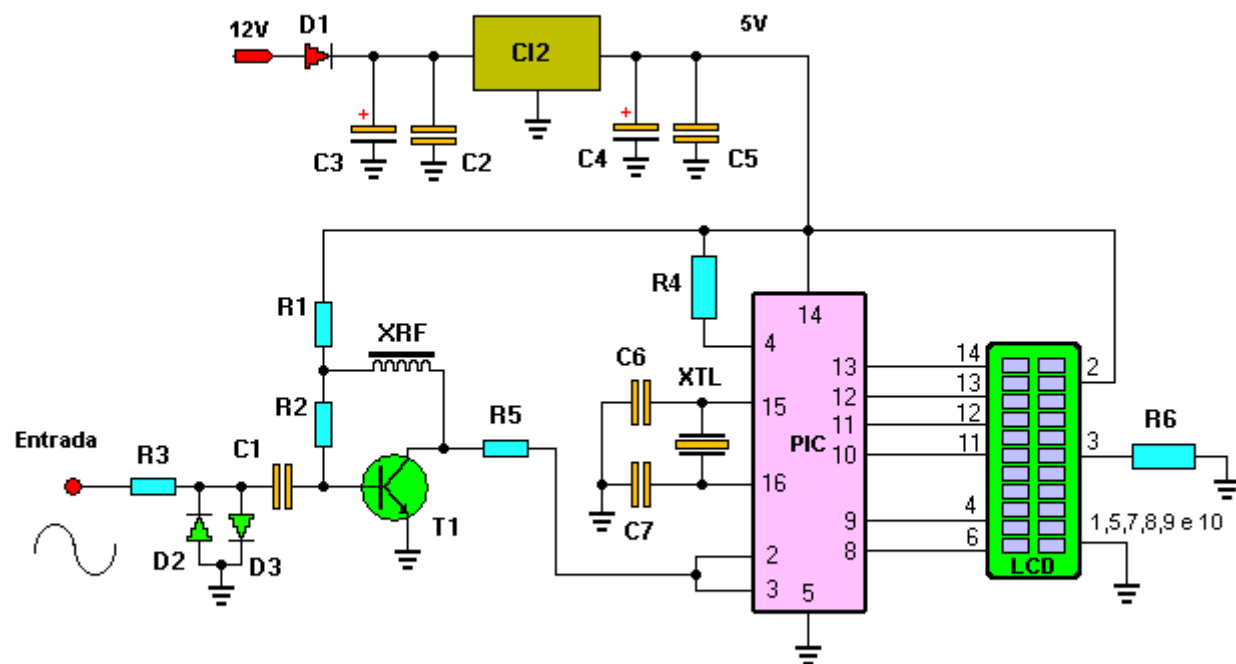
## FREQUENCY COUNTER

---

This is a 7 digits frequency counter and uses the 16F628-04/P PIC. It was based on the project of the friend [Peter OM3CPH](#), need acceptable even about 30 MHz, can be developed by prescaler for more spacious reading. The code was available also for the PIC 16F628A.



## FREQUENCÍMETRO - QRP-BR



Desenho: PY2RLM - Renato  
<http://py2rlm.sites.uol.com.br>

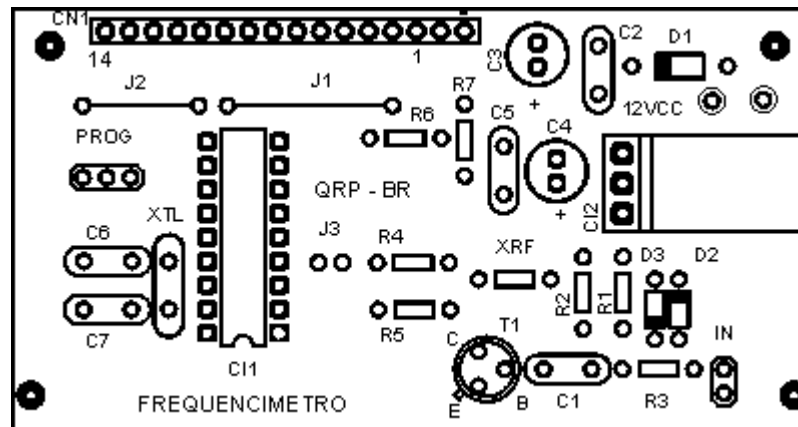
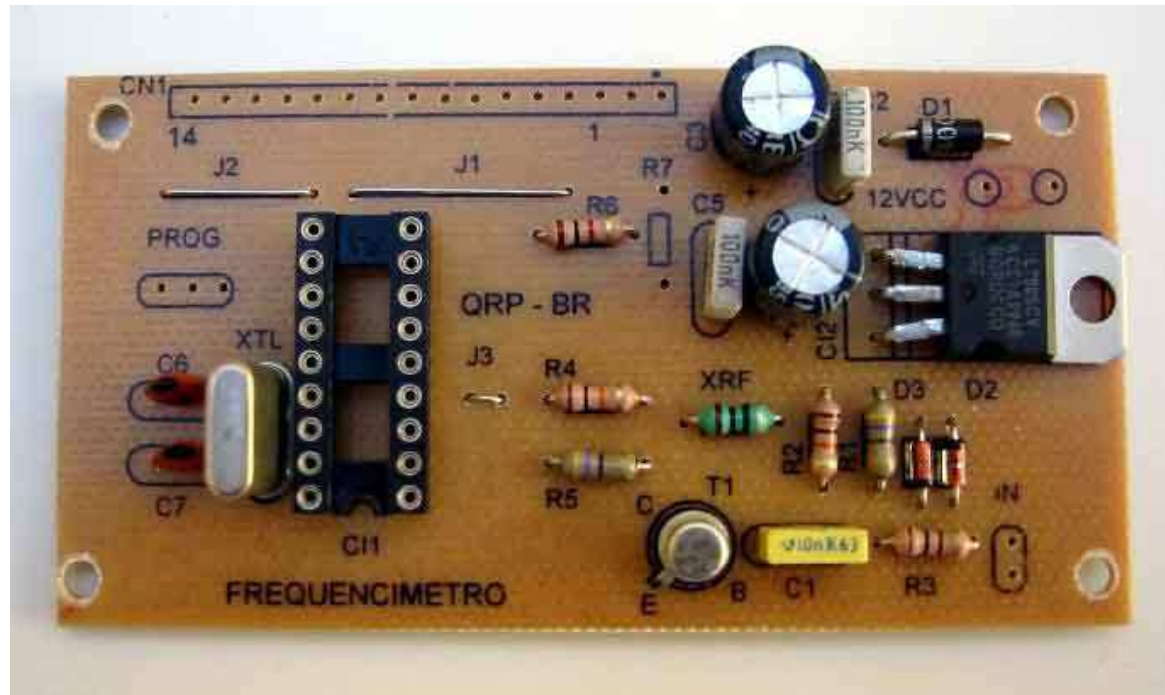
### PART LIST

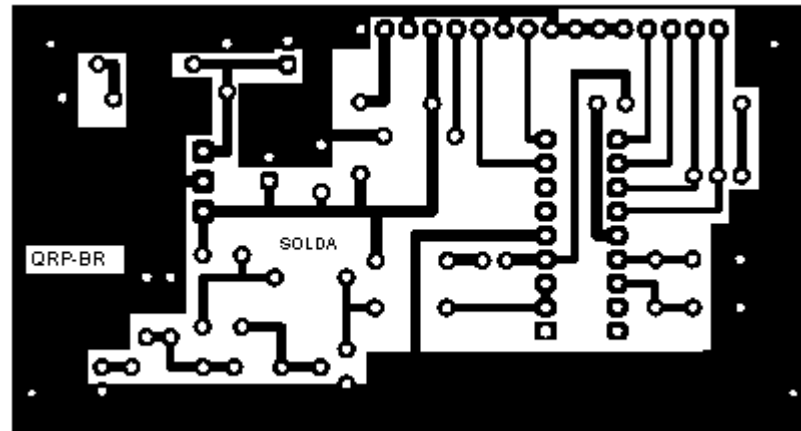
R1, R5 - 470R  
 R2, R4 - 10k  
 R3 - 100R  
 R6 - 1k

C1 - 10nF  
 C2, C5 - 100nF  
 C3, C4 - 220uF x 16V  
 C6, C7 - 22pF NPO

D1 - 1N4007  
 D2, D3 - 1N4148  
 T1 - 2N2369  
 CI1 - LM7805  
 PIC - 16F628-04/P

LCD - 2 x 16  
 XTL - cristal 4MHz  
 XRF - choque de RF de 10uH





The password is **py2rlm**

⇒ [DOWNLOADS](#) (code - display.inc - code.hex - PCB)

**\*\*\* Attention:** *to compile, place the code.asm and display.inc in the same directory.*

---

[BACK](#)