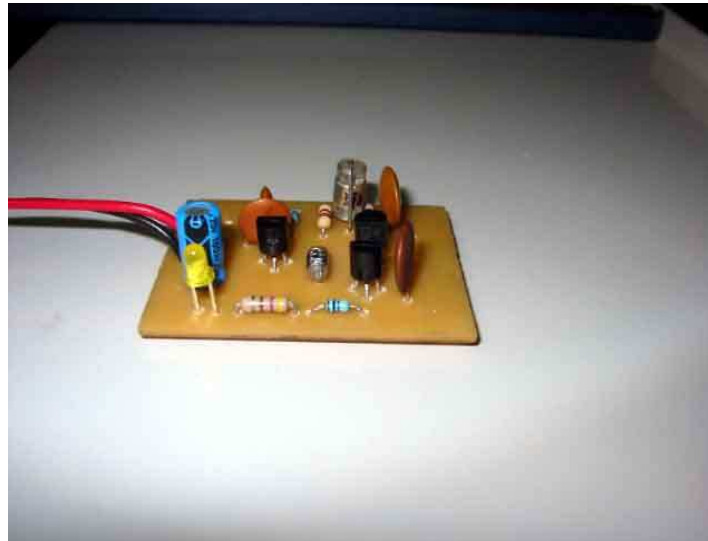
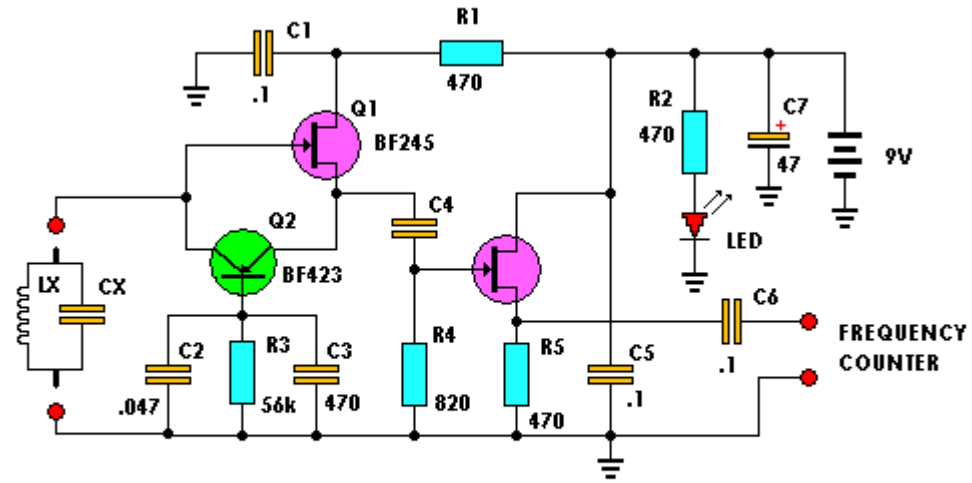


# Q R P

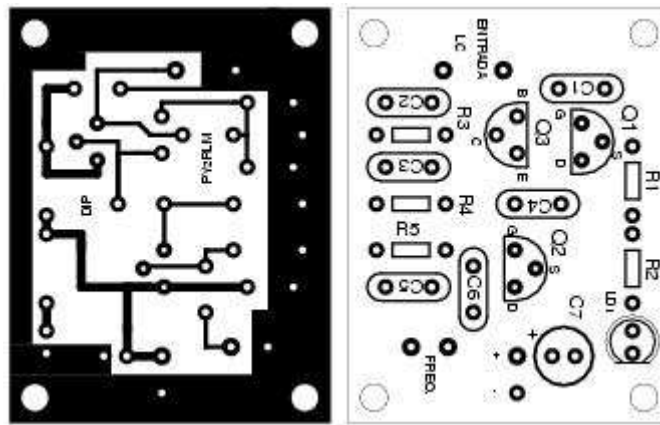
## LAMBDA OSCILATOR

The *Lambda Oscilator* is an alternative in order that is discovered the value of the components of a circuit L/C. In his exit there is tied a freq  $\diamond \diamond \diamond$  metro that will do the reading of the circuit of entry, when the frequency of resonance showed. Project published in the SPRAT number 111. With the chart of calculations we can obtain values of: indutance, capacitace and frequency.





Des.: RENATO L MARTINS  
PY2RLM



The password is [py2rlm](#)

⇒ [DOWNLOADS](#) (Chart calculatios, portugese only - PCB)

[BACK](#)