

# BU500 UP converter for 13cm Band

Local oscillator ( free programmable ) default Freq. 1968,00MHz TK 2ppm

**Input :** 100MHz....1300MHz **Output :** 2365MHz....2500MHz

**Output:** 500mW FM CW SSB Pactor mode 250mW DVB-S mode  
10MHz Clock version !!

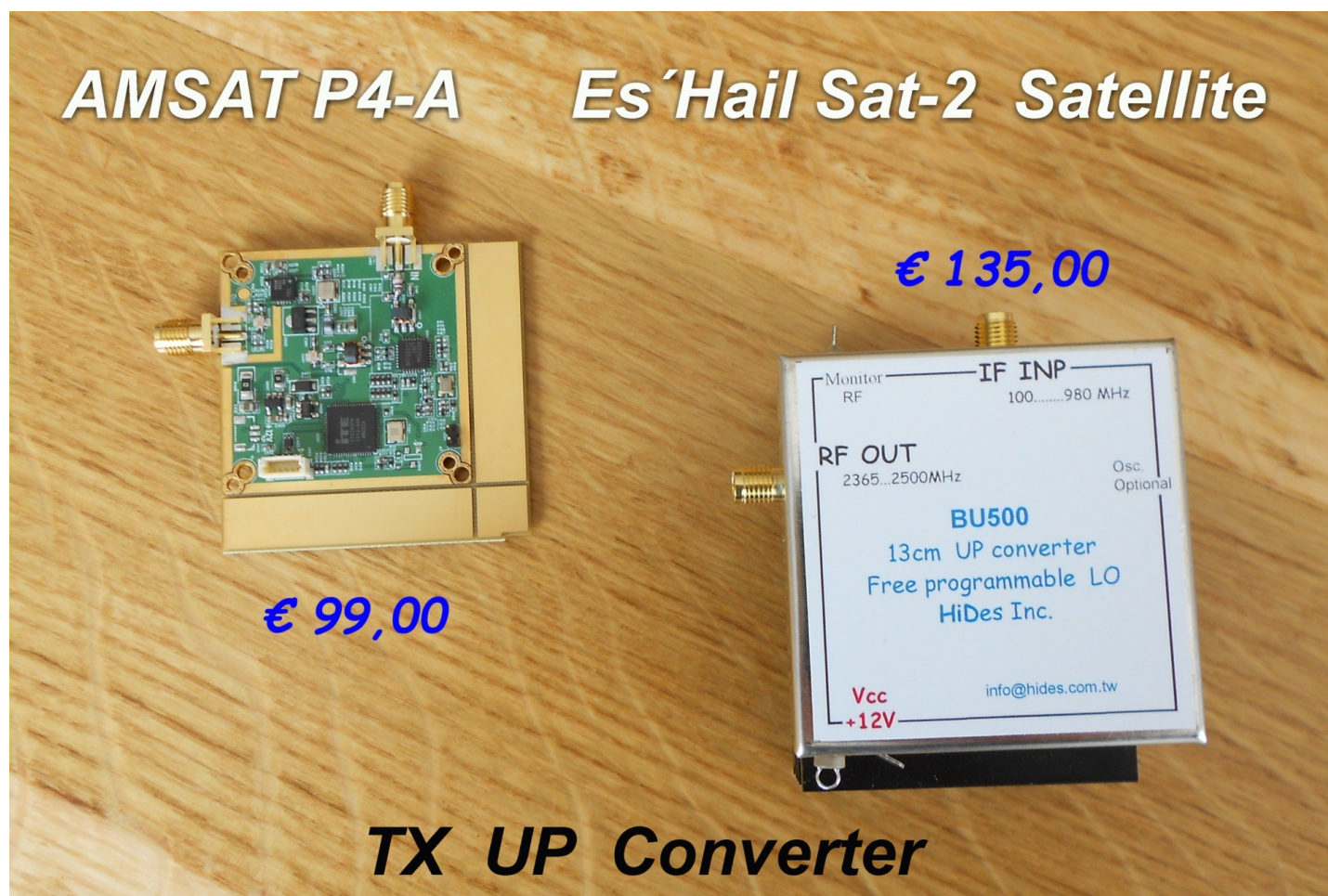
Version 3 : BU500 **only pcb** “ready for use” Input -15dBm 99 €  
for SSB CW FM FM-ATV digital mode DVB

Version 1 : BU500 **case** ready for use , tested Input -15dBm 135 €  
for SSB CW FM FM-ATV digital mode DVB

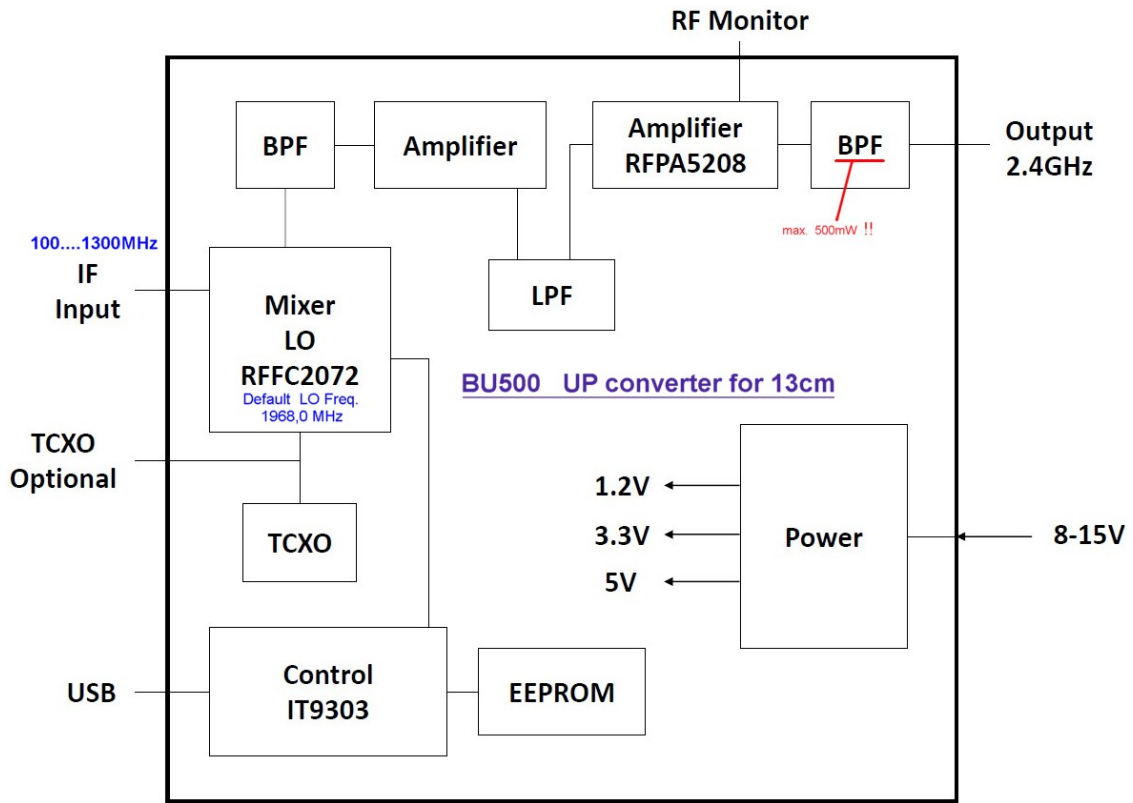
Version 2 : BU500 **case** ready for use , tested **Input +20dBm** 135 €  
“gold edition” for SSB CW FM FM-ATV DVB

**Order :** [calvin@hides.com.tw](mailto:calvin@hides.com.tw)

Info : [oe7dbh@tirol.com](mailto:oe7dbh@tirol.com)



Software download Link and USB programming cable are included !! ( LO programmable 1050.....2700MHz )



## AMSAT P4-A total configuration for SSB CW and DVB

