

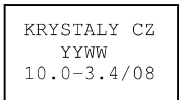


SPECIFICATION FOR CRYSTAL FILTER MCF 10.0-3.4/08

Number: 91 979
Drawing: 61 9580

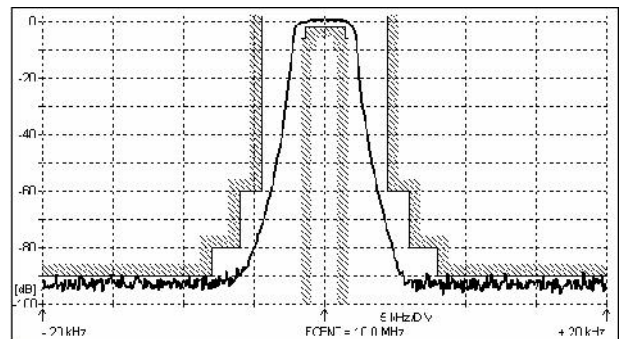
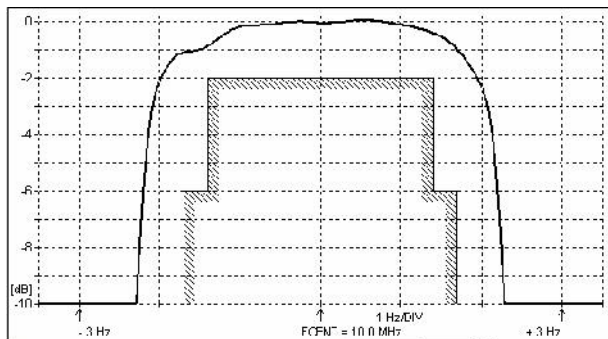
1. Electric values

- 1.0 Number of poles : 8
- 1.1 Nominal centre frequency f_{nom} : 10.0 MHz
- 1.2 Centre frequency f_c : 10.0 MHz \pm 200 Hz
- 1.3 Bandwidth between 6 dB frequencies : $\geq \pm 1.7$ kHz
- 1.4 Ripple at $f_{nom} \pm 1.4$ kHz : ≤ 2.0 dB
- 1.5 Insertion loss : ≤ 4.0 dB
- 1.6 Stop band
 - $f_{nom} \pm 4.0$ kHz : ≥ 50 dB
 - $f_{nom} \pm 4.5$ kHz : ≥ 60 dB
 - $f_{nom} \pm 5.0$ kHz : ≥ 70 dB
 - $f_{nom} \pm 6.0$ kHz : ≥ 80 dB
 - $f_{nom} \pm 8.0$ kHz : ≥ 90 dB
- 1.7 Terminating impedance (input and output) : 1000 Ohm // 25 pF
- 1.8 Operating temperature range : -30°C to +80°C
- 1.9 Case : KF 17 (38.4 x 18.2 x 13.0 mm)
- 1.10 Marking on the case :

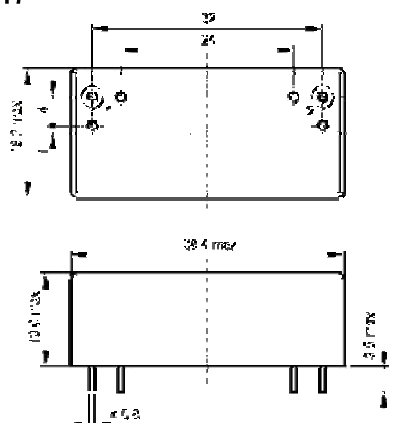


YY = year
WW = week

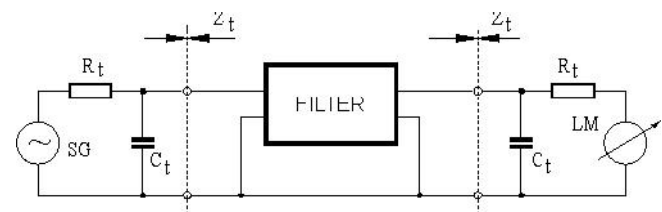
2. Characteristics MCF 10.0-3.4/08



Dimensions [mm] Case KF-17



Measurement Circuit



edited 22.08.2011 P. Seidl